

Locating Pins • with bore hole similar to DIN 6321

22630.0221



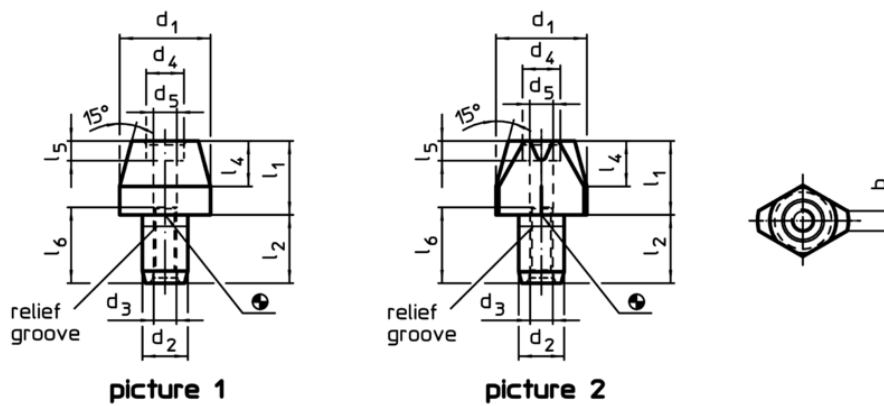
Product Description

Cylindric locating pins for locating workpieces in toleranced holes and also to be used as stops and feet.
Flattened locating pins used to overcome differences in tolerances, between holes or to position an element in one direction only.
Apart from size 6 additional safety by fastening possibilities from up and down (can also be used for dismounting). The outer dimensions are similar to DIN 6321.

Material

- Case-hardened steel, case-hardened, blackened and ground

Drawing



Order information

d ₁ g6	l ₁	d ₂ k6	Dimensions				d ₅	d ₆	Location hole H7 [mm]	[g]	Art. No. ¹⁾
			l ₂	l ₄	[mm]						
locating pin, cylindric, with bore hole – picture 1											
6	12	4	6	4			2,1	M2	4	2,9	22630.0221

¹⁾ can only be mounted from the top

Application example

