

Seating Pins • partially DIN 6321 (old norm)

22630.0156



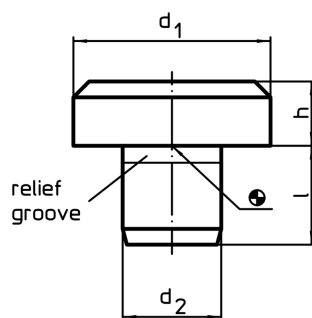
Product Description

To be used as feet and bearings.
Load bearing surface without distortion.

Material

- Tool steel, hardened, ground

Drawing



Order information

d_1	Dimensions			l	Location hole	[g]	Art. No.
	h h_9	d_2 n_6	[mm]		H7		
intermediate sizes							
30	100	20	20	20	20	594	22630.0156

Application example

