

Seating Pins • partially DIN 6321 (old norm)

22630.0140



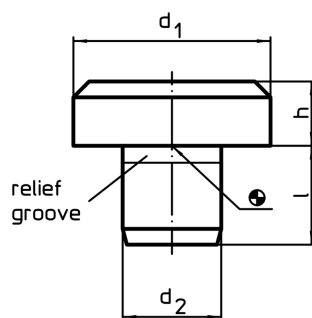
Product Description

To be used as feet and bearings.
Load bearing surface without distortion.

Material

- Tool steel, hardened, ground

Drawing



Order information

Dimensions				Location hole	[g]	Art. No.
d_1	h h9	d_2 n6	l	H7		
[mm]				[mm]		
intermediate sizes						
30	40	16	20	16	248	22630.0140

Application example

