

## Seating Pins • partially DIN 6321 (old norm)

22630.0137



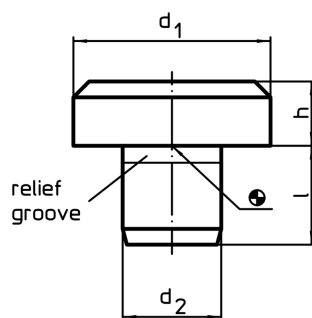
### Product Description

To be used as feet and bearings.  
Load bearing surface without distortion.

### Material

- Tool steel, hardened, ground

### Drawing



### Order information

Dimensions				Location hole	Art. No.
$d_1$	$h$ h9	$d_2$ n6	$l$	H7	
[mm]				[mm]	[g]
intermediate sizes					
30	25	16	20	16	22630.0137

### Application example

