

## Seating Pins • partially DIN 6321 (old norm)

22630.0130



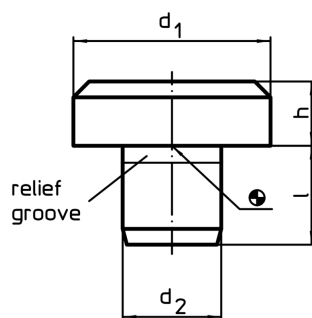
### Product Description

To be used as feet and bearings.  
Load bearing surface without distortion.

### Material

- Tool steel, hardened, ground

### Drawing



### Order information

d <sub>1</sub>	Dimensions			l	Location hole H7	[g]	Art. No.
	h h9	d <sub>2</sub> n6	[mm]				
<b>intermediate sizes</b>							
20	6	10	12	10	21	22630.0130	

### Application example

