

## Seating Pins • partially DIN 6321 (old norm)

22630.0126



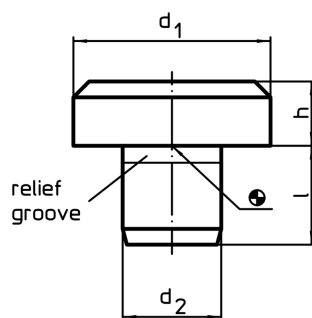
### Product Description

To be used as feet and bearings.  
Load bearing surface without distortion.

### Material

- Tool steel, hardened, ground

### Drawing



### Order information

| Dimensions                |         |                      |    | Location hole | [g] | Art. No.   |
|---------------------------|---------|----------------------|----|---------------|-----|------------|
| d <sub>1</sub>            | h<br>h9 | d <sub>2</sub><br>n6 | l  | H7            |     |            |
| [mm]                      |         |                      |    | [mm]          |     |            |
| <b>intermediate sizes</b> |         |                      |    |               |     |            |
| 12                        | 10      | 6                    | 10 | 6             | 11  | 22630.0126 |

### Application example

