

## Seating Pins • partially DIN 6321 (old norm)

22630.0124



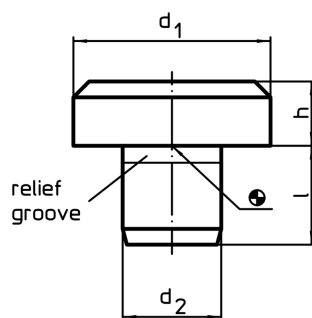
### Product Description

To be used as feet and bearings.  
Load bearing surface without distortion.

### Material

- Tool steel, hardened, ground

### Drawing



### Order information

Dimensions				Location hole	[g]	Art. No.
d <sub>1</sub>	h h9	d <sub>2</sub> n6	l	H7		
[mm]				[mm]		
<b>intermediate sizes</b>						
12	6	6	10	6	7,6	22630.0124

### Application example

