

Seating Pins • partially DIN 6321 (old norm)

22630.0120



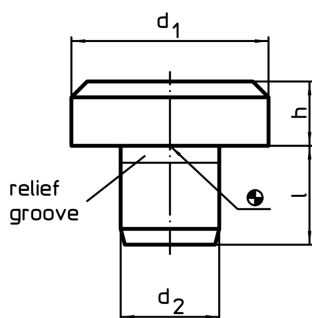
Product Description

To be used as feet and bearings.
Load bearing surface without distortion.

Material

- Tool steel, hardened, ground

Drawing



Order information

Dimensions				Location hole	Art. No.
d ₁	h h9	d ₂ n6	l	H7	
[mm]				[mm]	[g]
intermediate sizes					
10	4,5	6	8,5	6	22630.0120

Application example

