

Seating Pins • partially DIN 6321 (old norm)

22630.0116



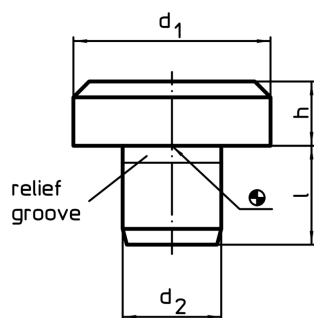
Product Description

To be used as feet and bearings.
Load bearing surface without distortion.

Material

- Tool steel, hardened, ground

Drawing



Order information

Dimensions				Location hole H7	[g]	Art. No.
d ₁	h h9	d ₂ n6	l			
[mm]				[mm]		
intermediate sizes						
8	4	5	8	5	3,1	22630.0116

Application example

