

## Locating and Seating Pins• DIN 6321

22630.0025



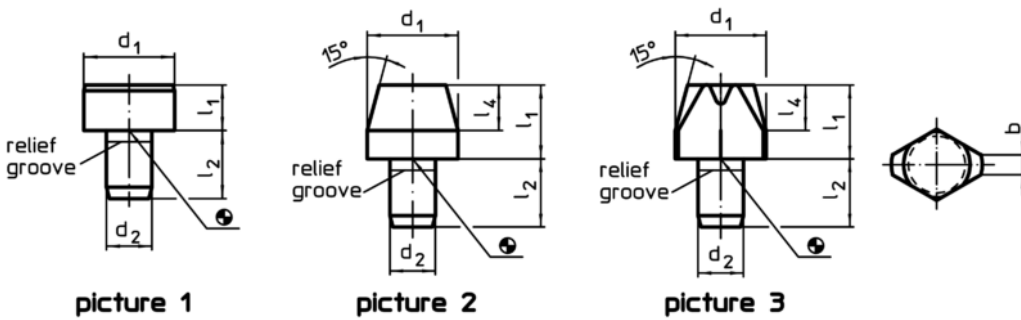
### Product Description

Cylindric locating pins for locating workpieces in toleranced holes and also to be used as stops and feet.  
Flattened locating pin used to overcome differences in tolerances, between holes or to position an element in one direction only.

### Material

- Tool steel, hardened, ground

### Drawing



### Order information

Dimensions					Location hole	Art. No.
$d_1$	$l_1$	$d_2$	$l_2$	$l_4$	H7	
g6		n6				
[mm]					[mm]	[g]
locating pin, cylindric, DIN 6321, form B – picture 2						
10	18	6	9	6	6	12 22630.0025

### Application example

