

## Seating Pins • partially DIN 6321 (old norm)

22630.0005



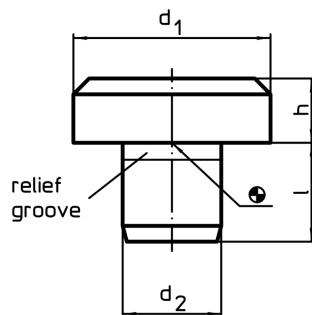
### Product Description

To be used as feet and bearings.  
Load bearing surface without distortion.

### Material

- Tool steel, hardened, ground

### Drawing



### Order information

Dimensions				l	Location hole H7 [mm]	[g]	Art. No.
d <sub>1</sub>	h h9	d <sub>2</sub> n6	[mm]				
<b>DIN 6321 old norm</b>							
25	8	12	14	12	41	22630.0005	

### Application example

