

Seating Pins • partially DIN 6321 (old norm)

22630.0003



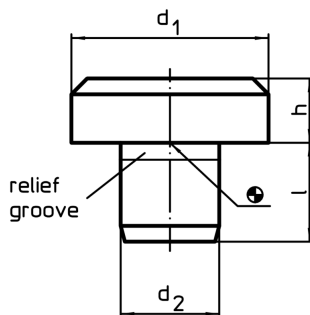
Product Description

To be used as feet and bearings.
Load bearing surface without distortion.

Material

- Tool steel, hardened, ground

Drawing



Order information

| Dimensions | | | | Location hole | Art. No. |
|-------------------|-----------|-------------|-----|---------------|------------|
| d_1 | h h9 | d_2 n6 | l | H7 | |
| [mm] | | | | [mm] | [g] |
| DIN 6321 old norm | | | | | |
| 16 | 5 | 8 | 10 | 8 | 22630.0003 |

Application example

