

## Seating Pins • partially DIN 6321 (old norm)

22630.0002



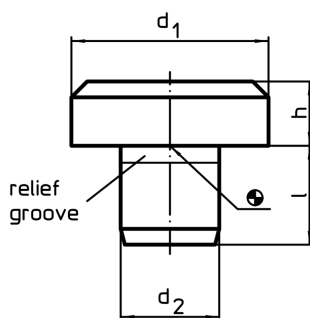
### Product Description

To be used as feet and bearings.  
Load bearing surface without distortion.

### Material

- Tool steel, hardened, ground

### Drawing



### Order information

d <sub>1</sub>	Dimensions			l	Location hole	[g]	Art. No.
	h h9	d <sub>2</sub> n6	[mm]		H7		
<b>DIN 6321 old norm</b>							
10	8	6	8	6	6,5	22630.0002	

### Application example

