

Seating Pins • partially DIN 6321 (old norm)

22630.0001



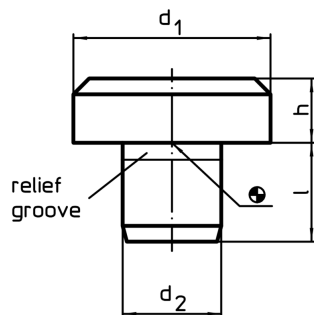
Product Description

To be used as feet and bearings.
Load bearing surface without distortion.

Material

- Tool steel, hardened, ground

Drawing



Order information

Dimensions				l	Location hole H7	[g]	Art. No.
d ₁	h h9	d ₂ n6	[mm]				
DIN 6321 old norm							
6	5	4	6	4	1,8	22630.0001	

Application example

