

Hard Metal Inserts

22620.0628



Product Description

Basic element to be mounted into clamping devices, clamping jaws, clamping arms, claw feed systems and so forth.

For an abrasion-proof transmission of high holding forces, e. g. on cast or forged pieces.

Material

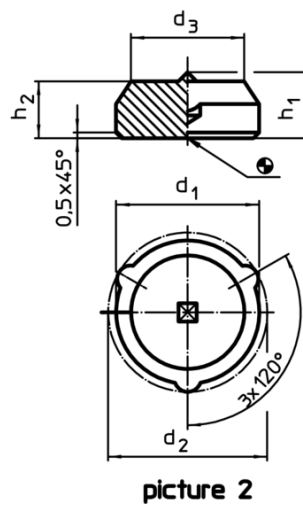
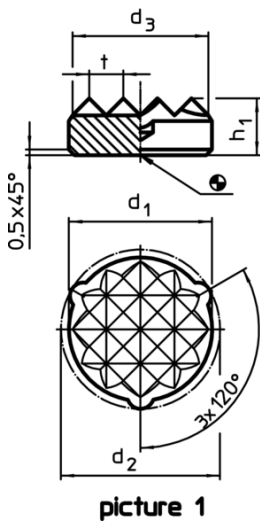
Insert

- Hard metal, pointed


Assembly

Mounting can take place by either soldering, glueing or pressing in. The three positioning tabs guarantee exact centering and when being glued or pressed in, article is secured against rotating. Depending on the individual element choose a mounting diameter between d_1 and d_2 .

Drawing



Order information

d_1 $\pm 0,1$	d_2 $\pm 0,2$	Dimensions				Art. No.
		d_3 ~ [mm]	h_1	h_2		
pointed – picture 2						
8,3	9,1	6,3	5,8	5	3,3	22620.0628

Application example

