

Grippers round/square with hard metal insert, ribbed 22620.0100



Product Description

Basic element to be mounted into clamping devices, clamping jaws, clamping arms, claw feed systems and so forth.
For transmission of high turning moments and holding forces, e.g. on cast and forged pieces.

Material

Body

- Tool steel, blackened

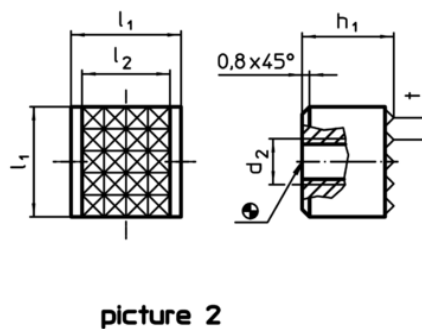
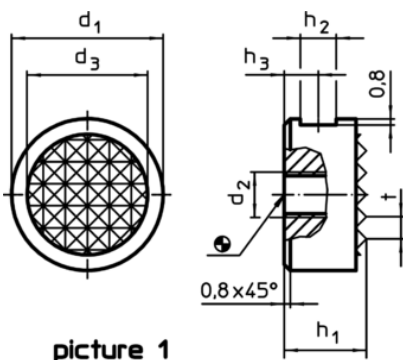
Ribbing

- Hard metal plate, brazed-in

Assembly

Square type suitable for alignments, thus providing a bearing surface for high holding forces.

Drawing



Order information

| Dimensions | | | | | | | [g] | Art. No. |
|-------------------|----------------|----------------|----------------|----------------|----------------|---|-----|------------|
| d ₁ | h ₁ | d ₂ | d ₃ | h ₂ | h ₃ | t | | |
| -0,13 | -0,13 | | [mm] | | | | | |
| round – picture 1 | | | | | | | | |
| 25 | 10 | M6 | 19 | 4,75 | 4,5 | 3 | 36 | 22620.0100 |

Application example

