

## Grippers round/square with hard metal insert, ribbed

22620.0080



### Product Description

Basic element to be mounted into clamping devices, clamping jaws, clamping arms, claw feed systems and so forth.  
For transmission of high turning moments and holding forces, e.g. on cast and forged pieces.

### Material

#### Body

- Tool steel, blackened

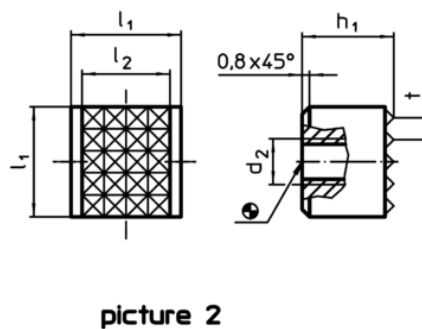
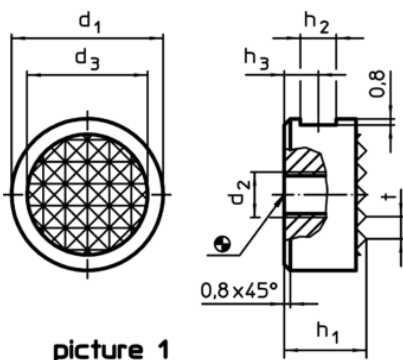
#### Ribbing

- Hard metal plate, brazed-in

### Assembly

Square type suitable for alignments, thus providing a bearing surface for high holding forces.

### Drawing



### Order information

Dimensions							Art. No.
d <sub>1</sub>	h <sub>1</sub>	d <sub>2</sub>	d <sub>3</sub>	h <sub>2</sub>	h <sub>3</sub>	t	
-0,13	-0,13		[mm]				[g]
round – picture 1							
20	10	M6	15,9	4,75	4,5	3	23
							22620.0080

### Application example

