

Mounting Pads

22590.0116



Product Description

Mounting pads can be used as foot or thrust pad. Not parallel bearing surfaces up to 15° degrees can be compensated.

Material

Ball element

- Stainless steel 1.4305

Pad

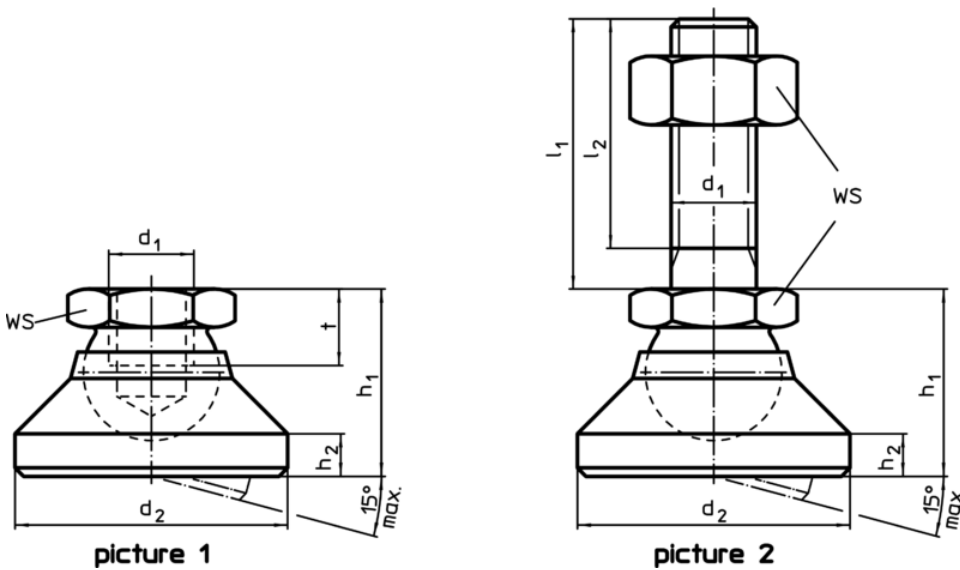
- Thermoplastic POM, white

More information

Notes

For the versions $d_1 = M10$ and $M12$ the lock nut conforms to DIN 934.

Drawing



Order information

Dimensions					WS	Load capacity for static load max.	 min. max.		 [g]	Art. No.
d ₁	d ₂	h ₁ ~ [mm]	h ₂	t			[kN]	[°C]		
pad from thermoplastic, ball element from stainless steel – picture 1, Thermoplastic										
M16	50	32	7	13,5	24	20	-30	80	75	22590.0116

Application example

