

## Mounting Pads

22590.0108



### Product Description

Mounting pads can be used as foot or thrust pad. Not parallel bearing surfaces up to 15° degrees can be compensated.

### Material

#### Ball element

- Stainless steel 1.4305

#### Pad

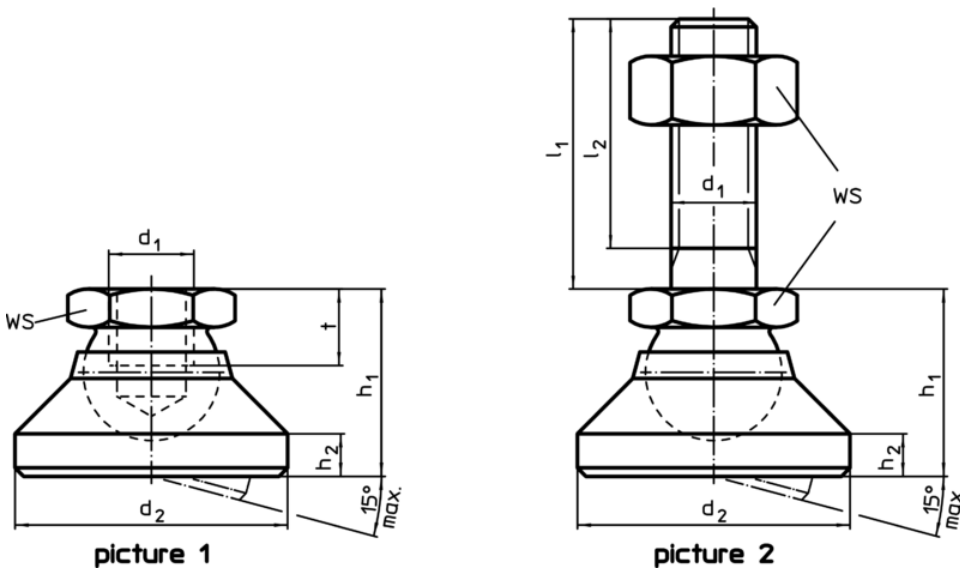
- Thermoplastic POM, white

### More information

#### Notes

For the versions  $d_1 = M10$  and  $M12$  the lock nut conforms to DIN 934.

### Drawing



### Order information

Dimensions					WS	Load capacity for static load max.	Temperature		Weight	Art. No.
$d_1$	$d_2$	$h_1$	$h_2$	$t$			min.	max.		
[mm]					[mm]	[kN]	[°C]		[g]	
pad from thermoplastic, ball element from stainless steel – picture 1, Thermoplastic										
M8	25	18	4	7	13	7	-30	80	13	22590.0108

Application example

