

Mounting Pads

22590.0006



Product Description

Mounting pads can be used as foot or thrust pad. Not parallel bearing surfaces up to 15° degrees can be compensated.

Material

Ball element

- Heat-treated steel, tempered, blackened

Pad

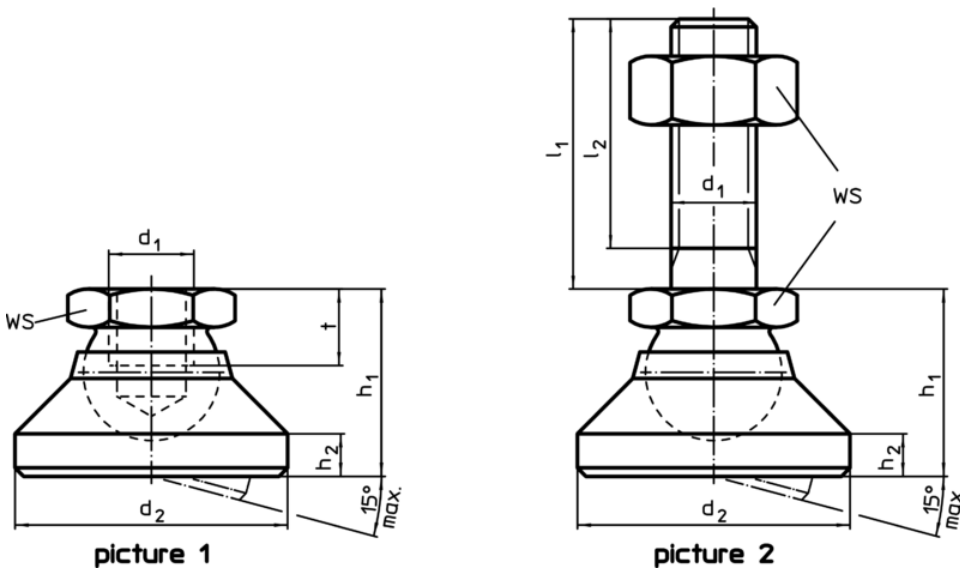
- Heat-treated steel, blackened

More information

Notes

For the versions $d_1 = M10$ and $M12$ the lock nut conforms to DIN 934.

Drawing



Order information

Dimensions					WS	Load capacity for static load max.	max.		Art. No.
d_1	d_2	h_1 ~ [mm]	h_2	t	[mm]	[kN]	[°C]	[g]	
pad and ball element – picture 1, Heat-treated steel									
M6	20	14	2,5	5	10	10	250	15	22590.0006

Application example

