

Grub Screws• ball-headed
22570.0448

Product Description

For combination with plastic thrust pads EH 22570.

Material

- Stainless steel 1.4305

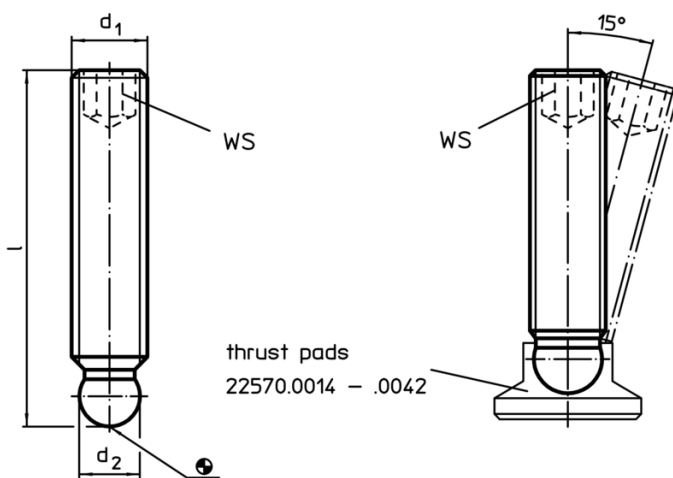
More information

Further products


- Thrust Pads, Plastic



Drawing



Order information

d ₁	Dimensions l [mm]	d ₂ +0,05	WS [mm]	 [g]	Art. No.
M10	40	7,8	5	16	22570.0448

Application example

