

Grub Screws• ball-headed 22570.0419

Product Description

For combination with plastic thrust pads EH 22570.

Material

- Stainless steel 1.4305

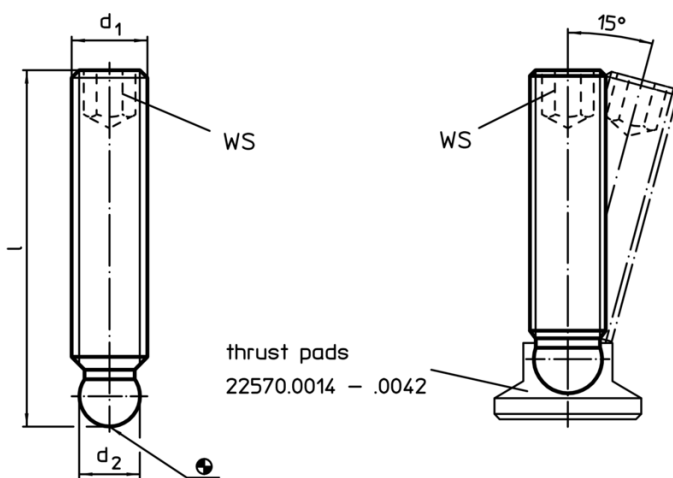
More information

Further products


- Thrust Pads, Plastic



Drawing



Order information

d ₁	Dimensions l [mm]	d ₂ +0,05	WS [mm]	 [g]	Art. No.
M8	25	6,1	4	5,8	22570.0419

Application example

