

Grub Screws• ball-headed 22570.0418

Product Description

For combination with plastic thrust pads EH 22570.

Material

- Stainless steel 1.4305

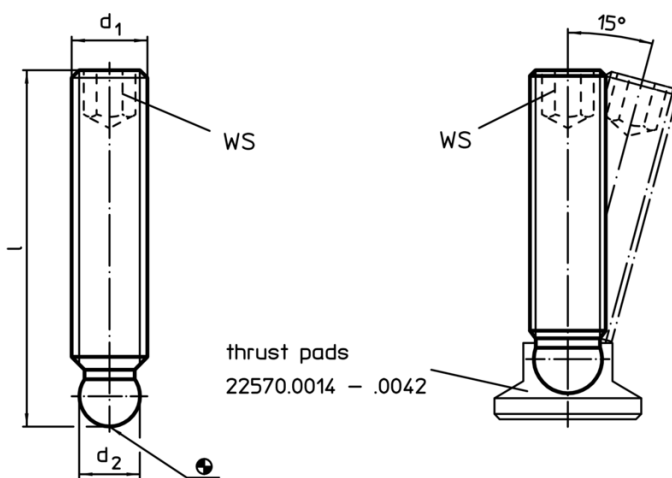
More information

Further products

- Thrust Pads, Plastic



Drawing



Order information

Dimensions			WS		Art. No.
d ₁	l	d ₂ +0,05	[mm]	[g]	
M6	50	4,47	3	7,6	22570.0418

Application example

