

Grub Screws• ball-headed
22570.0414

Product Description

For combination with plastic thrust pads EH 22570.

Material

- Stainless steel 1.4305

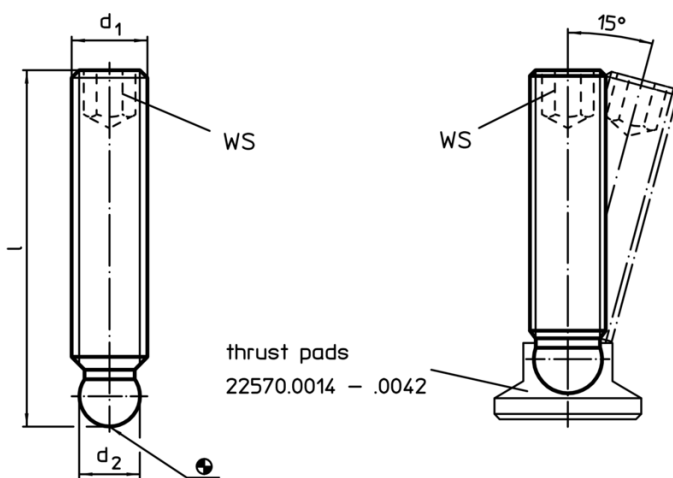
More information

Further products

- Thrust Pads, Plastic



Drawing



Order information

Dimensions			WS		Art. No.
d ₁	l [mm]	d ₂ +0,05	[mm]	[g]	
M6	40	4,47	3	5,9	22570.0414

Application example

