

Grub Screws• ball-headed 22570.0324

Product Description

For combination with plastic thrust pads EH 22570.

Material

- Free cutting steel, quality 5.8, blackened

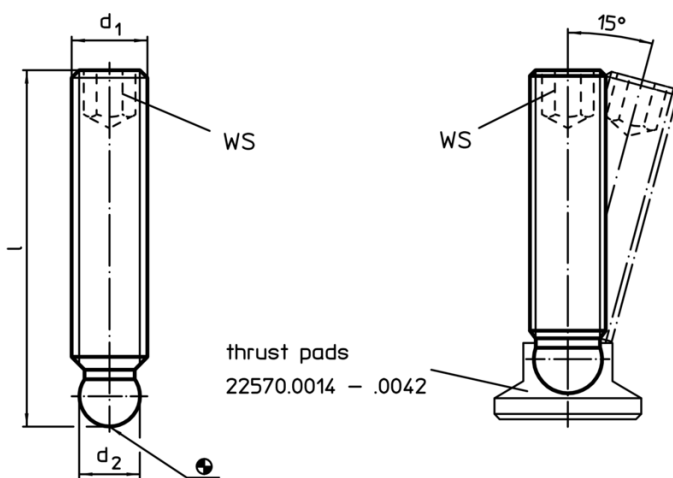
More information

Further products


- Thrust Pads, Plastic



Drawing



Order information

d_1	Dimensions l [mm]	d_2 +0,05	WS [mm]	 [g]	Art. No.
M12	80	9,4	6	51	22570.0324

Application example

