

Grub Screws• ball-headed 22570.0214

Product Description

For combination with plastic thrust pads EH 22570.

Material

- Free cutting steel, quality 5.8, blackened

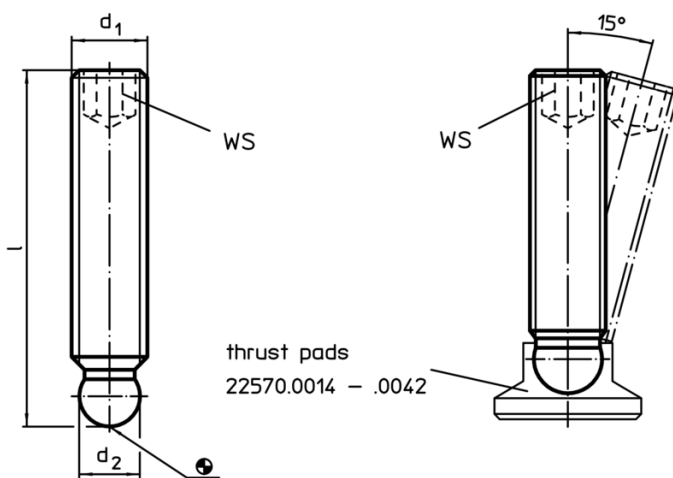
More information

Further products

- Thrust Pads, Plastic



Drawing



Order information

Dimensions			WS		Art. No.
d ₁	l [mm]	d ₂ +0,05	[mm]	[g]	
M6	40	4,47	3	5,9	22570.0214

Application example

