

Thrust Pads- Plastic
22570.0033



Product Description

For combination with ball-headed grub screws EH 22570.

Material

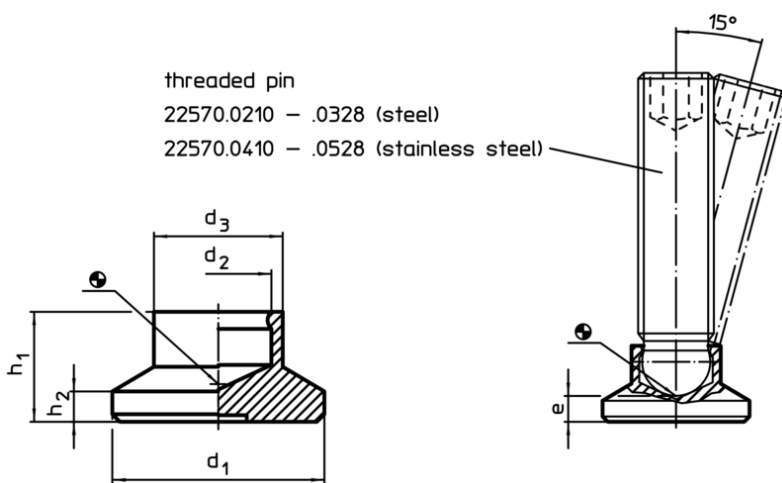
- Thermoplastic POM, black, dull

More information

Further products

- Grub Screws, ball-headed

Drawing



Order information

Dimensions						Load capacity for static load max.	For grub screws EH 22570.	Temperature		Weight	Art. No.
d ₁	d ₂	d ₃	e	h ₁	h ₂			min.	max.		
[mm]						[kN]	[mm]	[°C]		[g]	
32	7,8	14	5	11	3	3,5	M10	-30	80	5	22570.0033

Application example

