

Grub Screws• DIN 6332 with thrust point
22540.0502

Product Description

For combination with thrust pads with snap ring DIN 6311 form S, (EH 22560.) and clamping screws DIN 6332.



Material

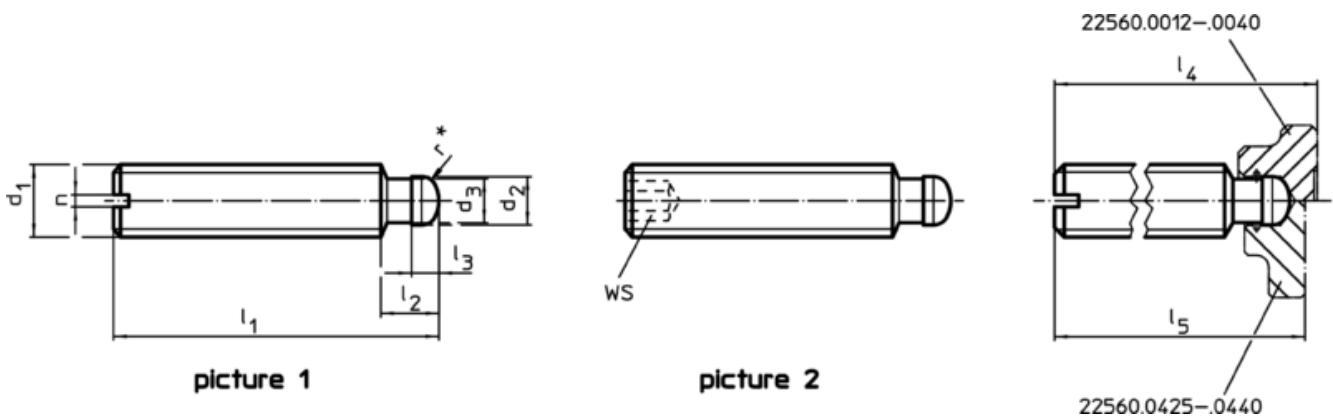
- Steel, blackened, quality 5.8, thrust point hardened

More information

Further products

- Thrust Pads, DIN 6311 and low model

Drawing



* to ease assembly the DIN 6332 specification has been completed by r

Order information

d ₁	l ₁	d ₂ h11	Dimensions				l ₂ ~	WS [mm]	[g]	Art. No.
			d ₃ [mm]	z ₂	z ₃					
with internal hexagon (IS) – picture 2										
M20	125	15,5	14,4	14	5,5	130,5	10	233	22540.0502	

Application example

