

**Grub Screws• DIN 6332 with thrust point**  
22540.0501

**Product Description**

For combination with thrust pads with snap ring DIN 6311 form S, (EH 22560.) and clamping screws DIN 6332.



**Material**

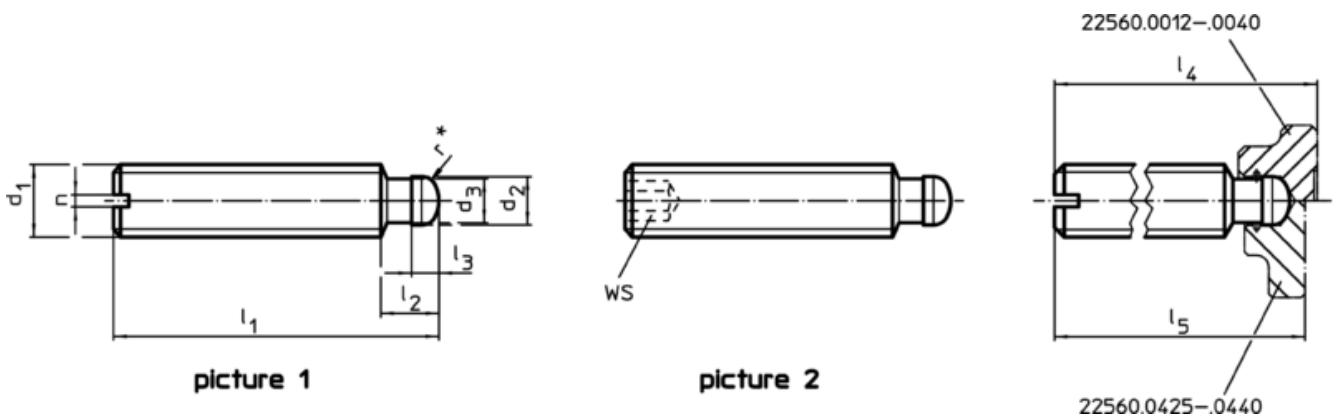
- Steel, blackened, quality 5.8, thrust point hardened

**More information**

**Further products**

- Thrust Pads, DIN 6311 and low model

**Drawing**



\* to ease assembly the DIN 6332 specification has been completed by r

**Order information**

d <sub>1</sub>	l <sub>1</sub>	d <sub>2</sub> h11	Dimensions				l <sub>2</sub> ~	WS [mm]	[g]	Art. No.
			d <sub>3</sub> [mm]	z <sub>2</sub>	z <sub>3</sub>					
<b>with internal hexagon (IS) – picture 2</b>										
M20	100	15,5	14,4	14	5,5	105,5	10	182	22540.0501	

**Application example**

