

## Grub Screws• DIN 6332 with thrust point

22540.0423

### Product Description

For combination with thrust pads with snap ring DIN 6311 form S, (EH 22560.) and clamping screws DIN 6332.



### Material

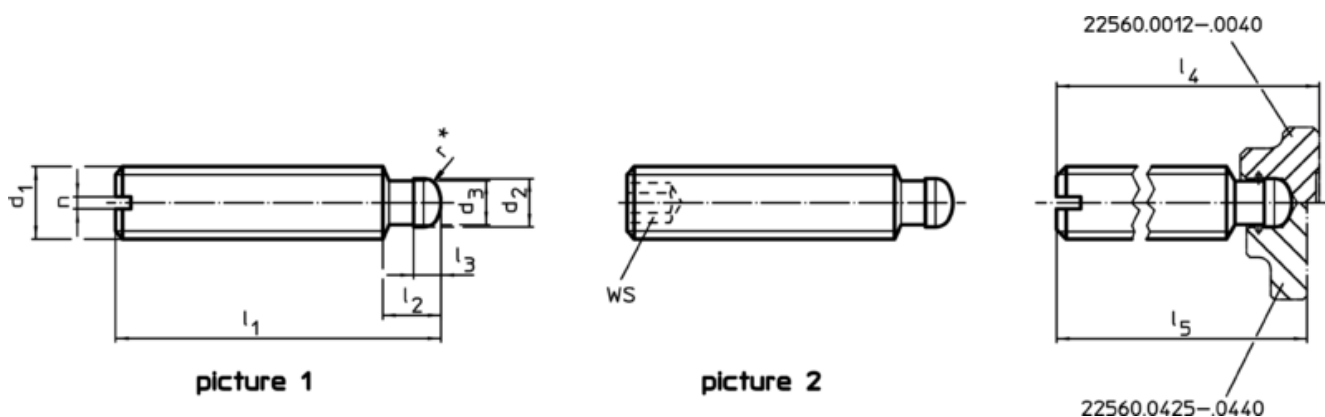
- Steel, blackened, quality 5.8, thrust point hardened

### More information

### Further products

- Thrust Pads, DIN 6311 and low model

### Drawing



\* to ease assembly the DIN 6332 specification has been completed by r

### Order information

Dimensions								WS		Art. No.
d <sub>1</sub>	l <sub>1</sub>	d <sub>2</sub> h11	d <sub>3</sub>	z <sub>2</sub>	z <sub>3</sub>	l <sub>2</sub> ~	l <sub>3</sub> ~	[mm]	[g]	
with internal hexagon (IS) – picture 2										
M12	100	8	7,2	10	4,5	104,6	102,6	6	64	22540.0423

### Application example

