

Grub Screws• DIN 6332 with thrust point

22540.0421



Product Description

For combination with thrust pads with snap ring DIN 6311 form S, (EH 22560.) and clamping screws DIN 6332.

Material

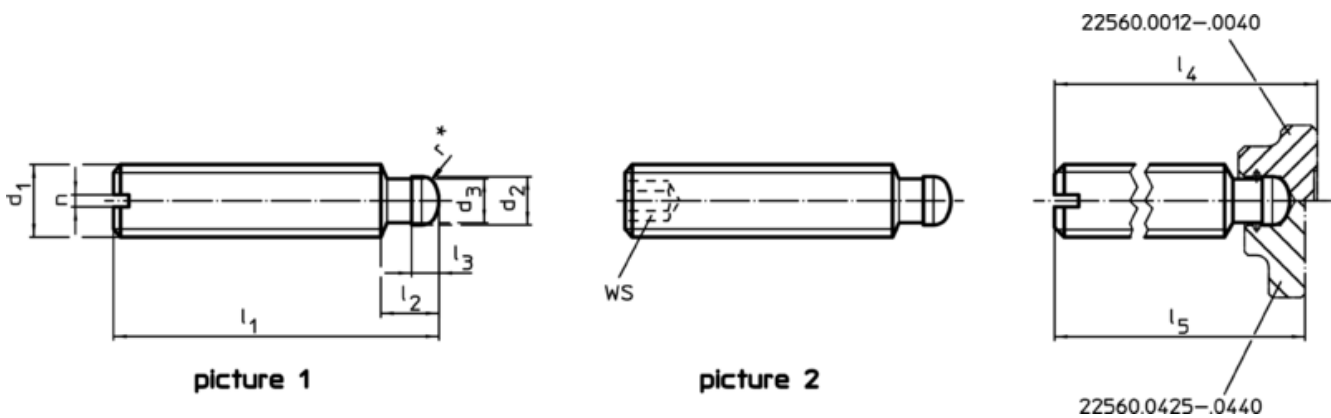
- Steel, blackened, quality 5.8, thrust point hardened

More information

Further products

- Thrust Pads, DIN 6311 and low model

Drawing



* to ease assembly the DIN 6332 specification has been completed by r

Order information

d ₁	l ₁	d ₂ h11	d ₃	Dimensions				WS	WS	Art. No.
				z ₂	z ₃	l ₂ ~	l ₃ ~			
with internal hexagon (IS) – picture 2										
M12	60	8	7,2	10	4,5	64,6	62,6	6	36	22540.0421

Application example

