

Grub Screws• DIN 6332 with thrust point

22540.0382

Product Description

For combination with thrust pads with snap ring DIN 6311 form S, (EH 22560.) and clamping screws DIN 6332.



Material

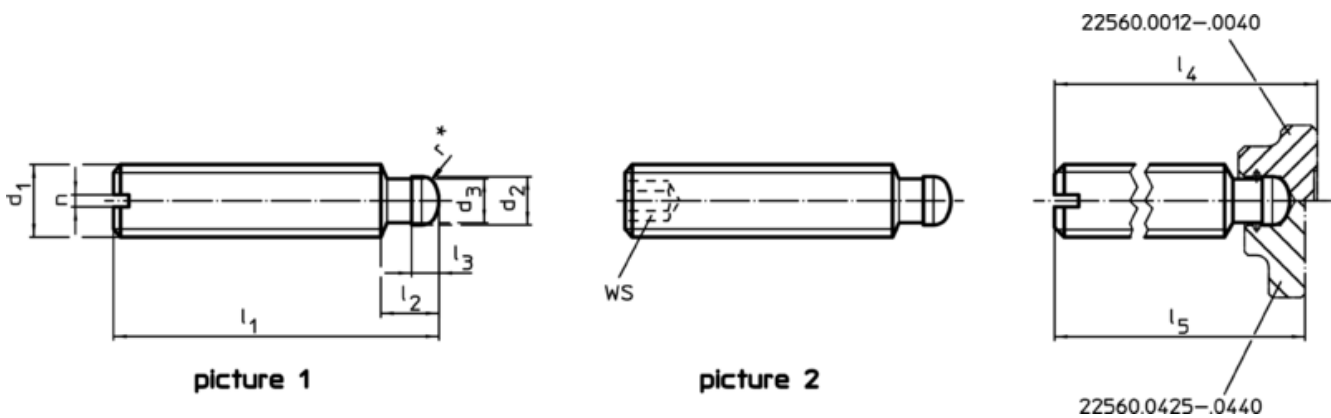
- Steel, blackened, quality 5.8, thrust point hardened

More information

Further products

- Thrust Pads, DIN 6311 and low model

Drawing



* to ease assembly the DIN 6332 specification has been completed by r

Order information

Dimensions								WS	Art. No.	
d ₁	l ₁	d ₂ h11	d ₃	z ₂	z ₃	l ₂ ~	l ₃ ~	[mm]		[g]
with internal hexagon (IS) – picture 2										
M8	60	6	5,4	7,5	3	63	62,5	4	17	22540.0382

Application example

