

## Grub Screws• DIN 6332 with thrust point 22540.0381



### Product Description

For combination with thrust pads with snap ring DIN 6311 form S, (EH 22560.) and clamping screws DIN 6332.

### Material

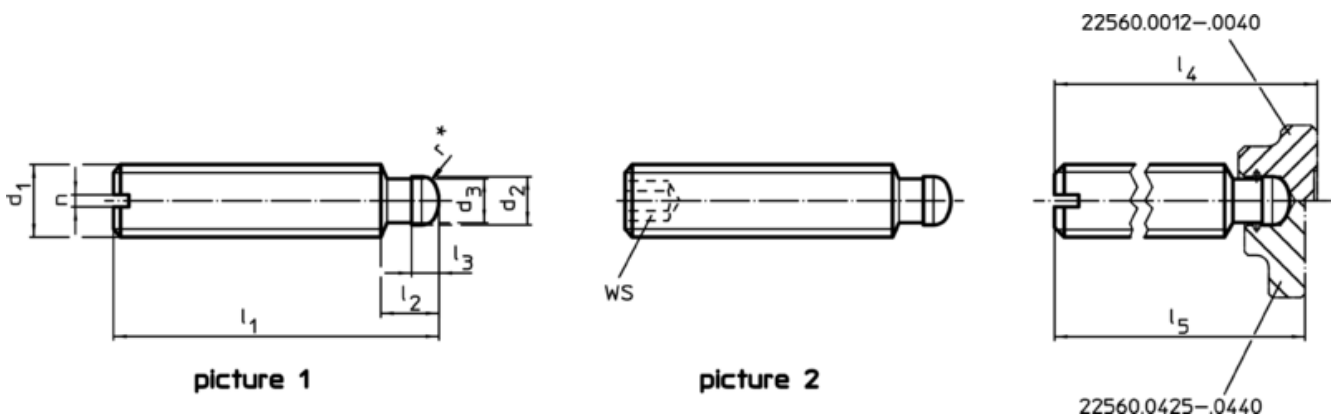
- Steel, blackened, quality 5.8, thrust point hardened

### More information

### Further products

- Thrust Pads, DIN 6311 and low model

### Drawing



\* to ease assembly the DIN 6332 specification has been completed by r

### Order information

Dimensions								WS	Art. No.	
d <sub>1</sub>	l <sub>1</sub>	d <sub>2</sub> h11	d <sub>3</sub>	z <sub>2</sub>	z <sub>3</sub>	l <sub>2</sub> ~	l <sub>3</sub> ~	[mm]		[g]
with internal hexagon (IS) – picture 2										
M8	40	6	5,4	7,5	3	43	42,5	4	11	22540.0381

### Application example

