

Grub Screws• DIN 6332 with thrust point

22540.0362

Product Description

For combination with thrust pads with snap ring DIN 6311 form S, (EH 22560.) and clamping screws DIN 6332.



Material

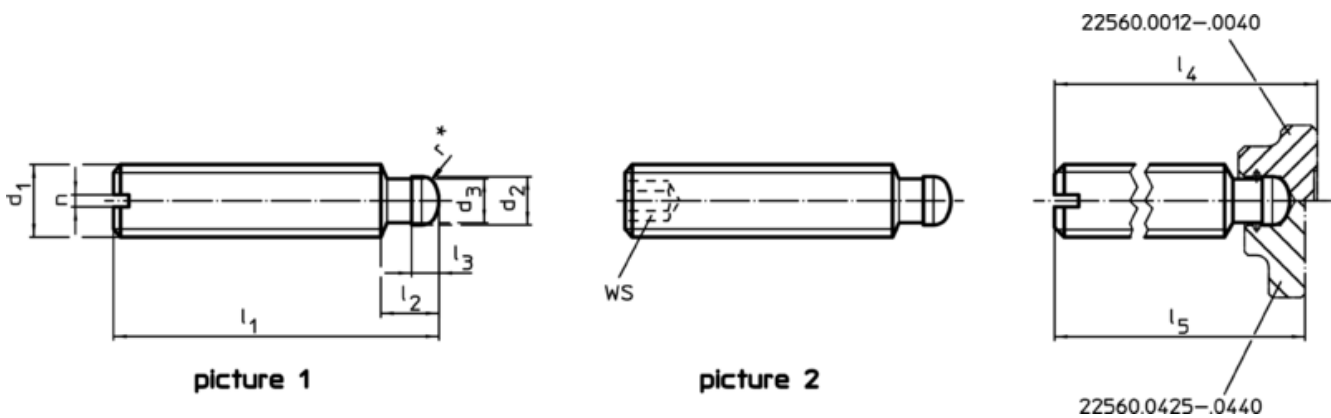
- Steel, blackened, quality 5.8, thrust point hardened

More information

Further products

- Thrust Pads, DIN 6311 and low model

Drawing



* to ease assembly the DIN 6332 specification has been completed by r

Order information

d ₁	l ₁	d ₂ h11	Dimensions			l ₂ ~	WS [mm]	[g]	Art. No.
			d ₃	z ₂	z ₃				
with internal hexagon (IS) – picture 2									
M6	50	4,5	4	6	2,5	52,1	3	7,6	22540.0362

Application example

