

## Grub Screws• DIN 6332 with thrust point 22540.0361



### Product Description

For combination with thrust pads with snap ring DIN 6311 form S, (EH 22560.) and clamping screws DIN 6332.

### Material

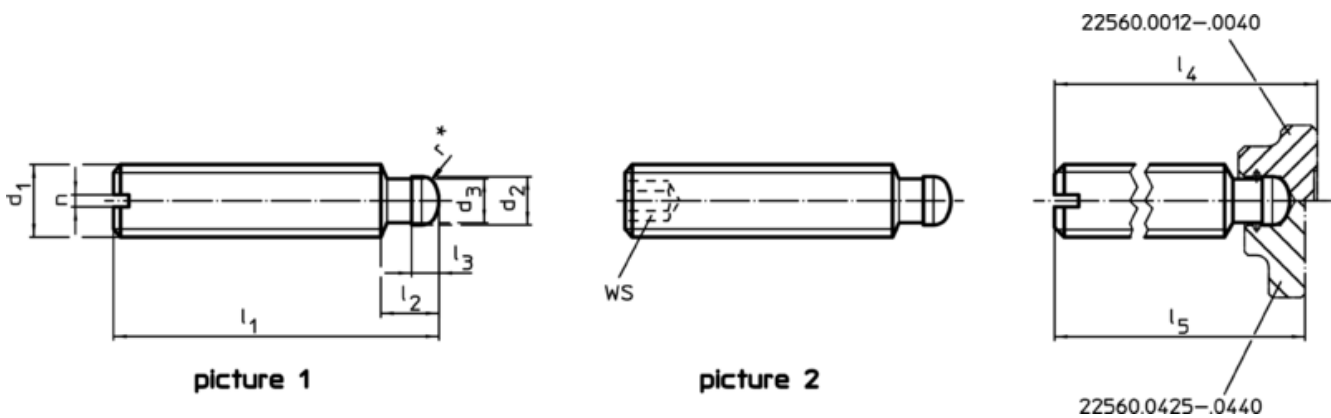
- Steel, blackened, quality 5.8, thrust point hardened

### More information

### Further products

- Thrust Pads, DIN 6311 and low model

### Drawing



\* to ease assembly the DIN 6332 specification has been completed by r

### Order information

d <sub>1</sub>	l <sub>1</sub>	d <sub>2</sub> h11	Dimensions			l <sub>2</sub> ~	WS [mm]	[g]	Art. No.
			d <sub>3</sub>	z <sub>2</sub>	z <sub>3</sub>				
with internal hexagon (IS) – picture 2									
M6	30	4,5	4	6	2,5	32,1	3	4,3	22540.0361

### Application example

