

Grub Screws• DIN 6332 with thrust point
22540.0201

Product Description

For combination with thrust pads with snap ring DIN 6311 form S, (EH 22560.) and clamping screws DIN 6332.



Material

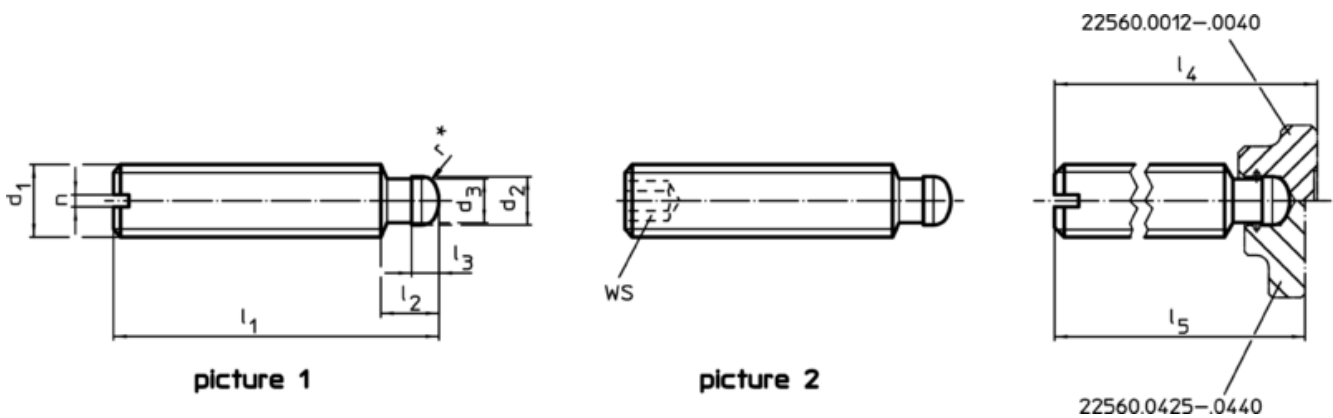
- Steel, blackened, quality 5.8, thrust point hardened

More information

Further products

- Thrust Pads, DIN 6311 and low model

Drawing



* to ease assembly the DIN 6332 specification has been completed by r

Order information

d ₁	l ₁	d ₂ h11	Dimensions					n	[g]	Art. No.
			d ₃	z ₂	z ₃	l ₂ ~	[mm]			
slotted (S) – picture 1										
M20	100	15,5	14,4	14	5,5	105,5	3	190	22540.0201	

Application example

