

Grub Screws• DIN 6332 with thrust point

22540.0123

Product Description

For combination with thrust pads with snap ring DIN 6311 form S, (EH 22560.) and clamping screws DIN 6332.



Material

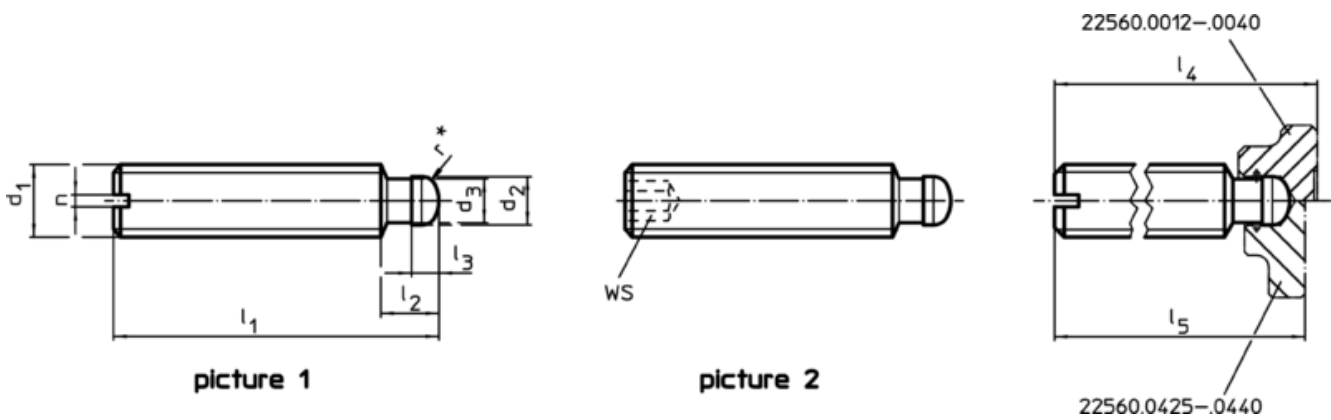
- Steel, blackened, quality 5.8, thrust point hardened

More information

Further products

- Thrust Pads, DIN 6311 and low model

Drawing



* to ease assembly the DIN 6332 specification has been completed by r

Order information

d ₁	l ₁	d ₂ h11	d ₃	Dimensions		l ₂ ~	l ₃ ~	n	[g]	Art. No.
				z ₂	z ₃					
[mm]										
slotted (S) – picture 1										
M12	100	8	7,2	10	4,5	104,6	102,6	2	65	22540.0123

Application example

