

## Grub Screws• DIN 6332 with thrust point

22540.0122

### Product Description

For combination with thrust pads with snap ring DIN 6311 form S, (EH 22560.) and clamping screws DIN 6332.



### Material

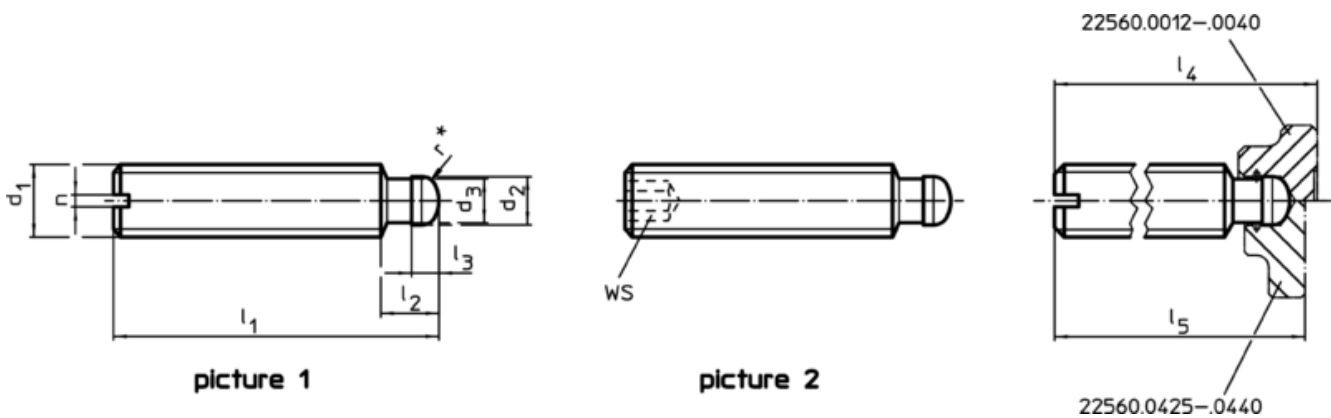
- Steel, blackened, quality 5.8, thrust point hardened

### More information

### Further products

- Thrust Pads, DIN 6311 and low model

### Drawing



\* to ease assembly the DIN 6332 specification has been completed by r

### Order information

d <sub>1</sub>	l <sub>1</sub>	d <sub>2</sub> h11	d <sub>3</sub>	Dimensions			l <sub>2</sub> ~	l <sub>3</sub> ~	n	[g]	Art. No.
				z <sub>2</sub>	z <sub>3</sub>	[mm]					
slotted (S) – picture 1											
M12	80	8	7,2	10	4,5		84,6	82,6	2	51	22540.0122

### Application example

