

**Grub Screws· DIN 6332 with thrust point**  
22540.0101

**Product Description**

For combination with thrust pads with snap ring DIN 6311 form S, (EH 22560.) and clamping screws DIN 6332.



**Material**

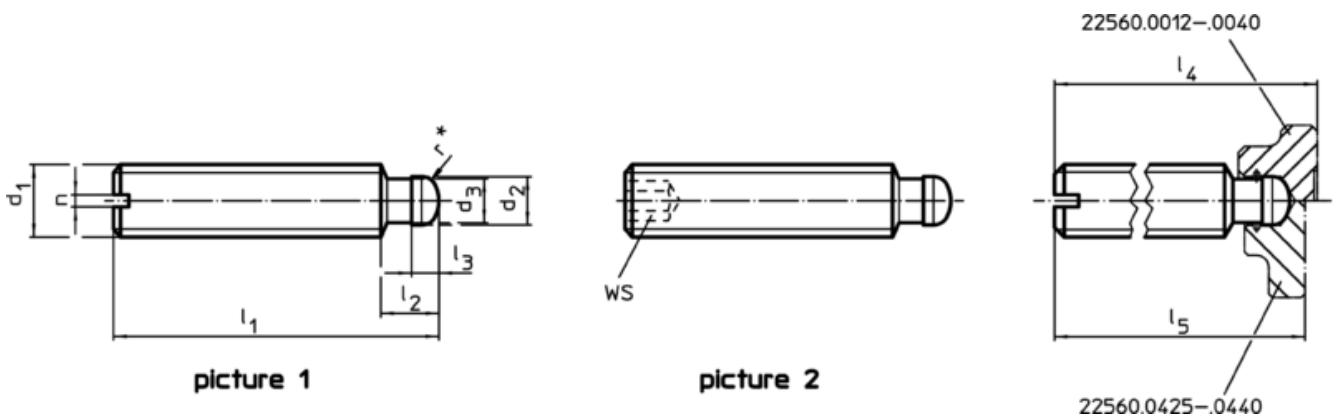
- Steel, blackened, quality 5.8, thrust point hardened

**More information**

**Further products**

- Thrust Pads, DIN 6311 and low model

**Drawing**



\* to ease assembly the DIN 6332 specification has been completed by r

**Order information**

Dimensions										[g]	Art. No.
d <sub>1</sub>	l <sub>1</sub>	d <sub>2</sub> h11	d <sub>3</sub>	z <sub>2</sub>	z <sub>3</sub>	l <sub>2</sub> ~	l <sub>3</sub> ~	n			
slotted (S) – picture 1											
M10	60	8	7,2	9	4,5	63,6	62,6	1,6	27	22540.0101	

**Application example**

