

**Grub Screws• DIN 6332 with thrust point**  
22540.0061

**Product Description**

For combination with thrust pads with snap ring DIN 6311 form S, (EH 22560.) and clamping screws DIN 6332.



**Material**

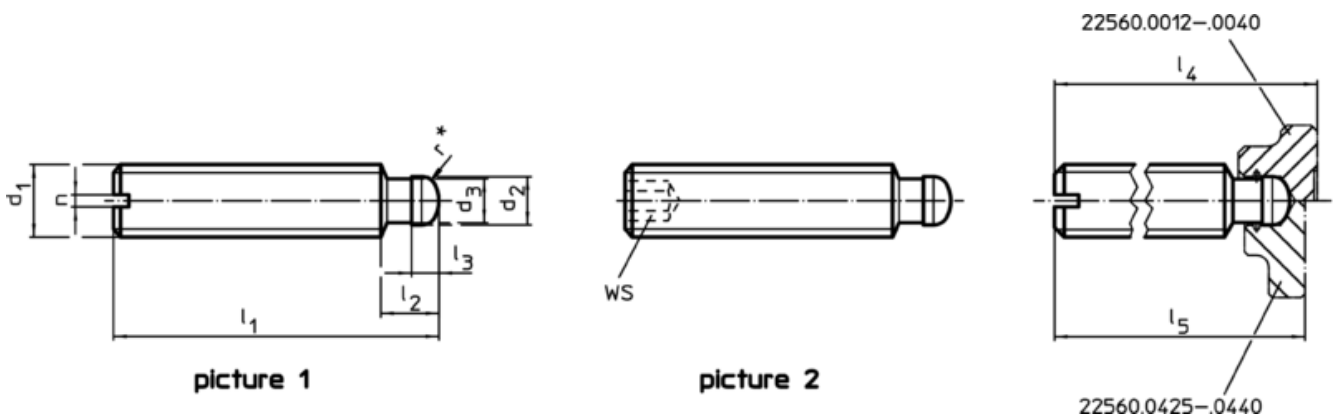
- Steel, blackened, quality 5.8, thrust point hardened

**More information**

**Further products**

- Thrust Pads, DIN 6311 and low model

**Drawing**



\* to ease assembly the DIN 6332 specification has been completed by r

**Order information**

Dimensions								[g]	Art. No.
d <sub>1</sub>	l <sub>1</sub>	d <sub>2</sub> h11	d <sub>3</sub>	z <sub>2</sub>	z <sub>3</sub>	l <sub>2</sub> ~	n		
slotted (S) – picture 1									
M6	30	4,5	4	6	2,5	32,1	1	4,5	22540.0061

**Application example**

