

## Retaining Cables

22400.0974



### Product Description

These retaining cables secure the single-acting ball lock pin EH 22340., EH 22350., EH 22370. and EH 22380., as well as clamping pin EH 22360., and socket pin EH 22400. against possible loss.

### Material

#### Retaining cable

- Thermoplastic PA 6, grey

#### Coating retaining cable

- Thermoplastic PA 6, grey

### Assembly

Attached holding clips (picture 5/6) to the ball lock pin with a soft-face mallet, disassemble via levering it with a screw driver.

Thermoplastic version (picture 7): cut-off projecting ends without burr after being fastened.

Spiral form design (picture 8) with very high effective working length.

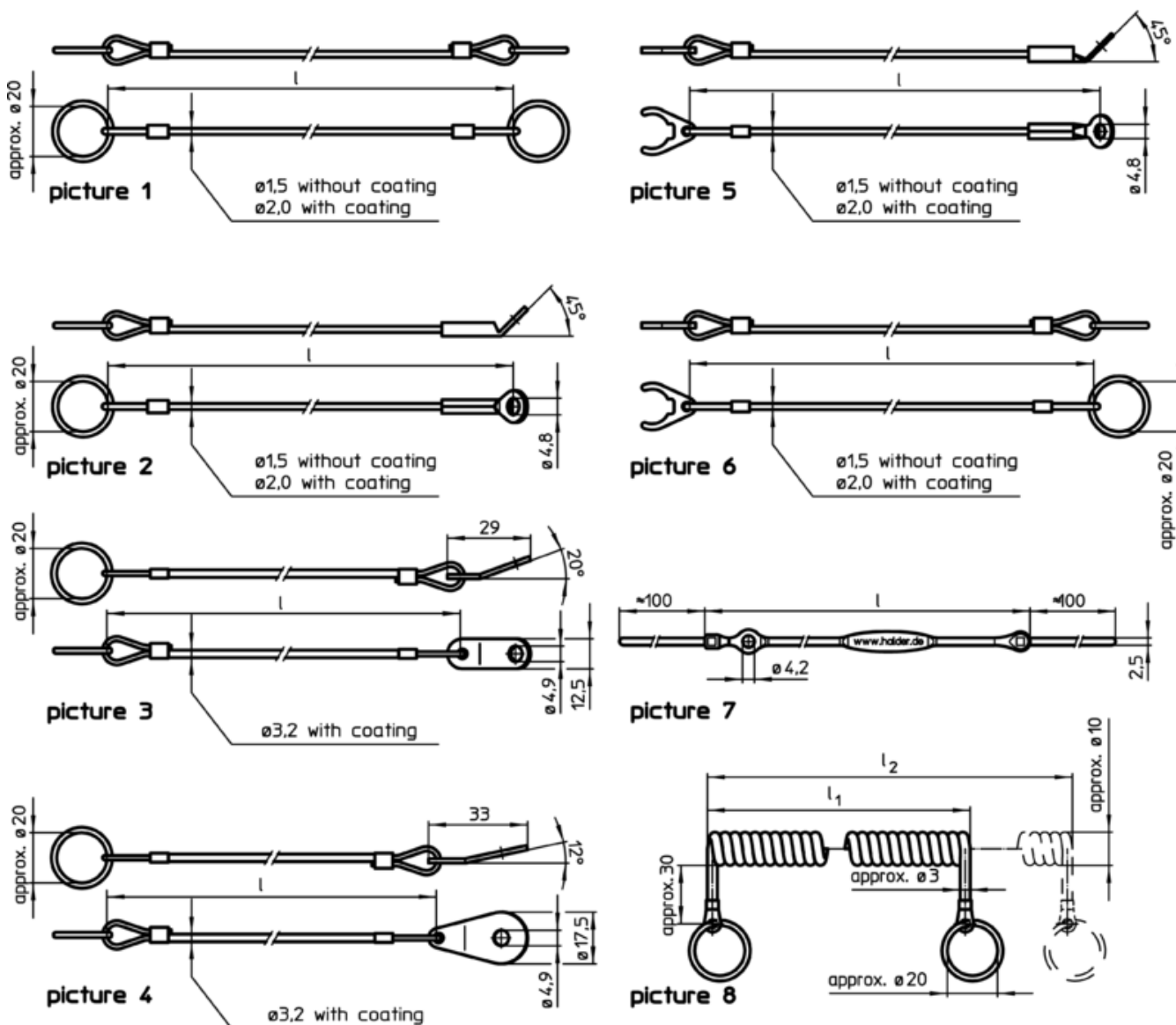
### More information

### Notes



Special types on request.

Models picture 3 and picture 4 correspond to MIL-DTL-83420.

### Drawing



Order information

Dimensions l [mm]	 max. [°C]	 [g]	Art. No.
with double sided clamping/indexing mechanism – picture 7, Thermoplastic PA 6, grey			
250	80	2,7	22400.0974

Application example

