

Retaining Cables

22400.0970



Product Description

These retaining cables secure the single-acting ball lock pin EH 22340., EH 22350., EH 22370. and EH 22380., as well as clamping pin EH 22360., and socket pin EH 22400. against possible loss.

Material

Retaining cable

- Thermoplastic PA 6, grey

Coating retaining cable

- Thermoplastic PA 6, grey

Assembly

Attached holding clips (picture 5/6) to the ball lock pin with a soft-face mallet, disassemble via levering it with a screw driver.

Thermoplastic version (picture 7): cut-off projecting ends without burr after being fastened.

Spiral form design (picture 8) with very high effective working length.

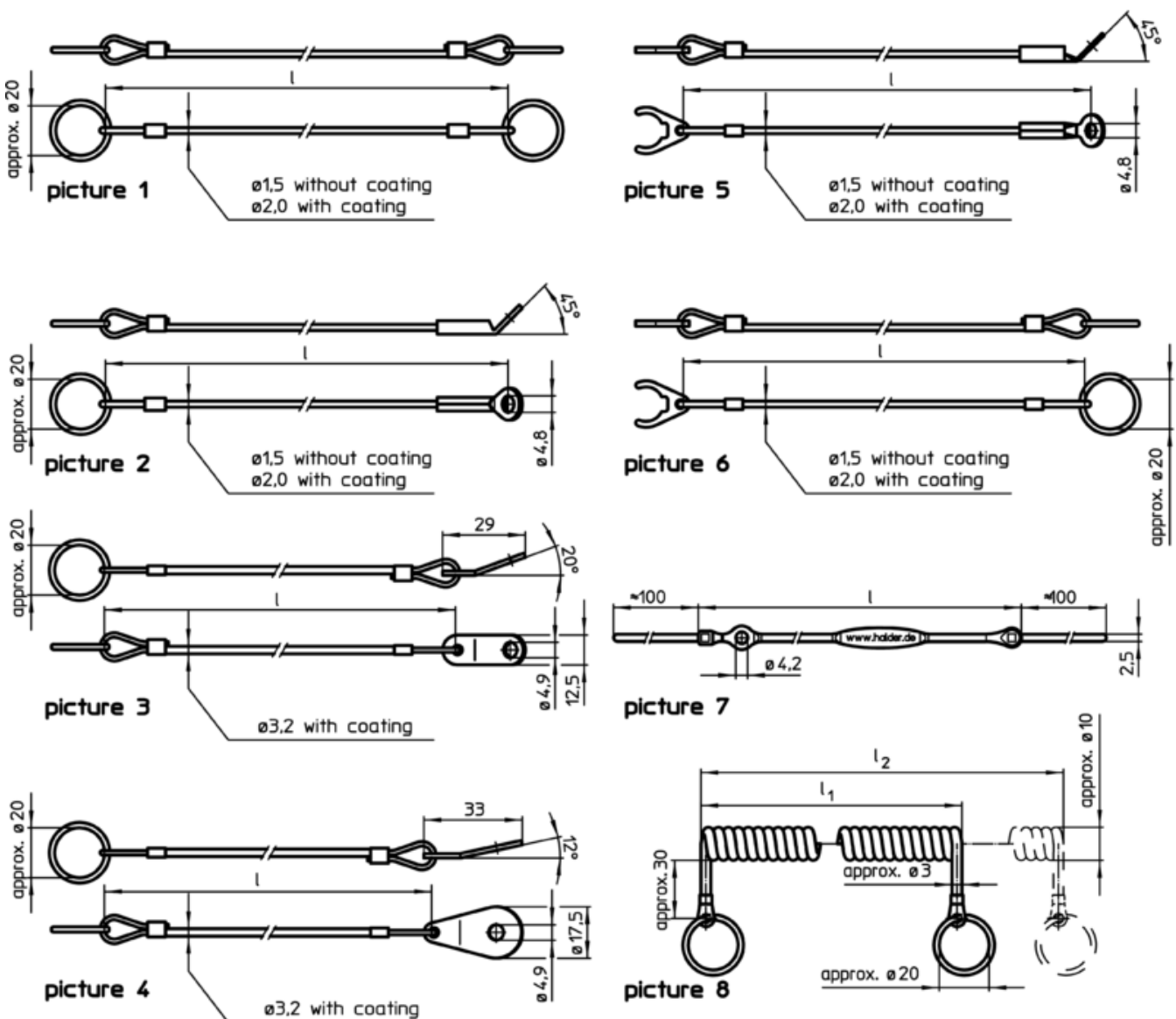
More information

Notes



Special types on request.

Models picture 3 and picture 4 correspond to MIL-DTL-83420.

Drawing



Order information

Dimensions l [mm]	 max. [°C]	 [g]	Art. No.
with double sided clamping/indexing mechanism – picture 7, Thermoplastic PA 6, grey			
150	80	2,1	22400.0970

Application example

