

Retaining Cables

22400.0935



Product Description

These retaining cables secure the single-acting ball lock pin EH 22340., EH 22350., EH 22370. and EH 22380., as well as clamping pin EH 22360., and socket pin EH 22400. against possible loss.

Material

Attaching ring
• Stainless steel

Ring
• Stainless steel

Retaining cable
• Stainless steel

Coating retaining cable
• without coating

Assembly

Attached holding clips (picture 5/6) to the ball lock pin with a soft-face mallet, disassemble via levering it with a screw driver.

Thermoplastic version (picture 7): cut-off projecting ends without burr after being fastened.

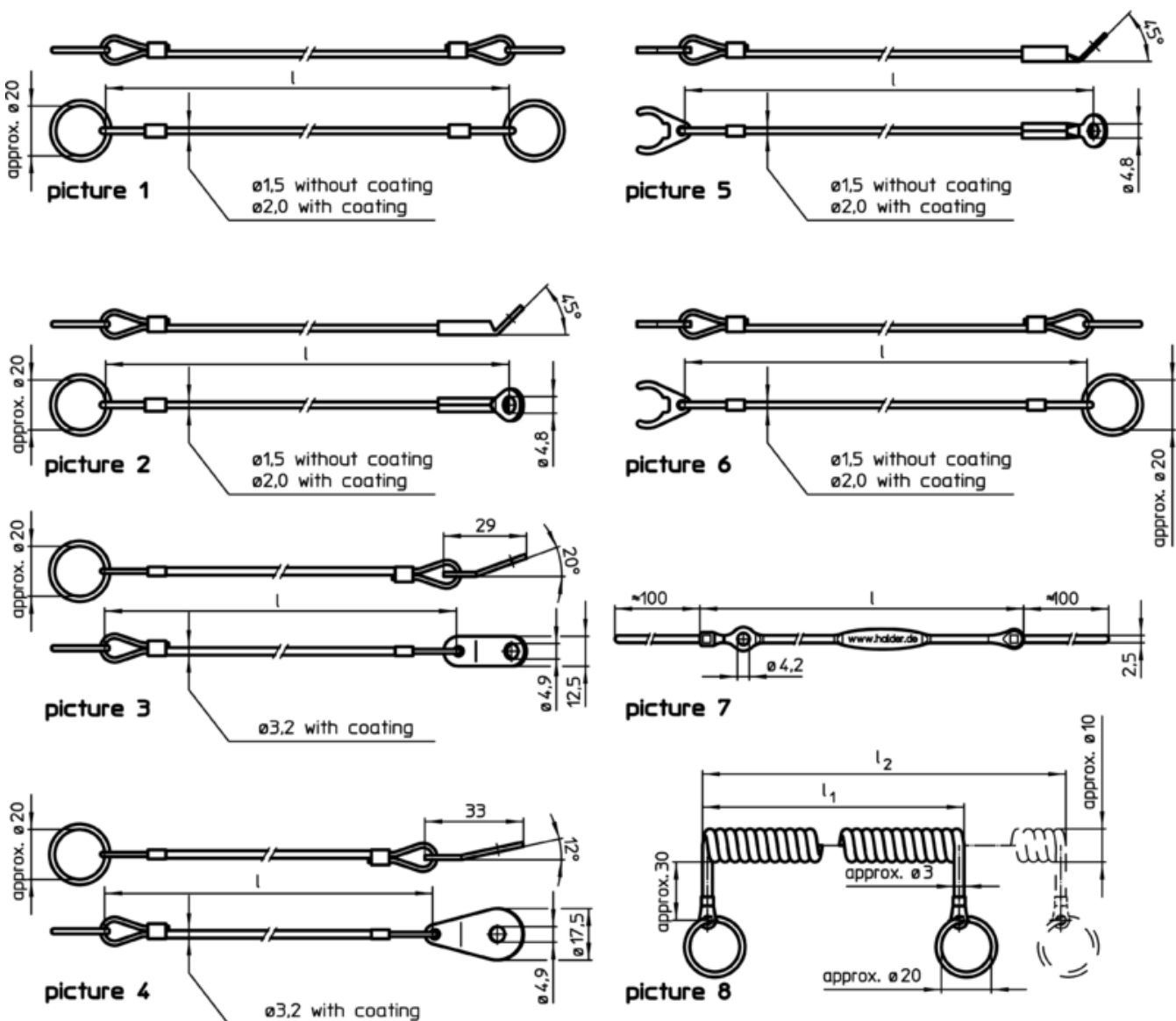
Spiral form design (picture 8) with very high effective working length.

More information

Notes

Special types on request.
Models picture 3 and picture 4 correspond to MIL-DTL-83420.

Drawing



Order information

Dimensions l [mm]	max. [°C]	[g]	Art. No. ¹⁾
stainless steel, with holding ring and loop to be screwed – picture 2, without coating			
150	250	6,9	22400.0935

¹⁾ not for ball-lock pins, basic type

Application example

