

## Socket Pins with spring-loaded balls

### 22400.0128



#### Product Description

For quick fastening, locking, adjusting, changing and securing. Quickly and easily unlockable for frequently repeated connections.  
All versions are corrosion resistant.  
Version with ergonomic grip.

#### Material

##### Pin part

- Stainless steel 1.4305

##### Handle

- Thermoplastic PA 6, grey

##### Spring

- Stainless steel

#### More information

##### Notes

Security Note: Balls are spring-loaded and not locked as in article groups EH 22340., EH 22350., EH 22360., EH 22370. and EH 22380.

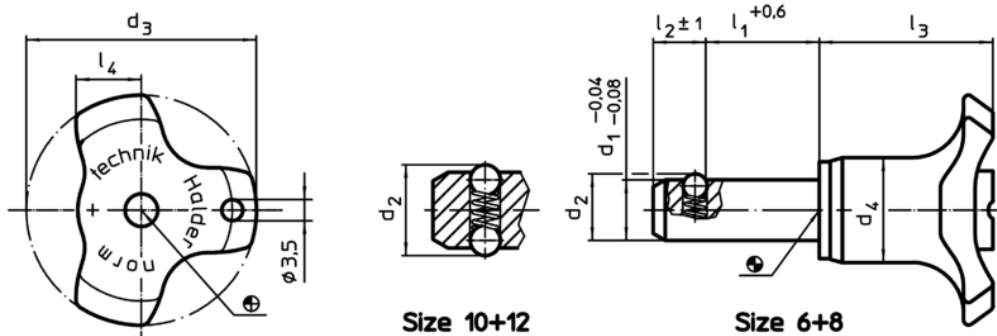
##### Accessories

Can easily be fitted with retaining cable EH 22400.

##### Further products

- Locating Bushings, for ball lock pins and socket pins
- Locating Bushings, with flange, for ball lock pins and socket pins
- Retaining Cables
- Positioning Bushings, with collar
- Positioning Bushings, without collar

#### Drawing



#### Order information

Dimensions								Location hole H11	Shearing resistance, double	Tensile force max. unlubricated	Temperature		Weight	Art. No.
d <sub>1</sub>	l <sub>1</sub>	d <sub>2</sub>	d <sub>3</sub>	d <sub>4</sub>	l <sub>2</sub> ±1	l <sub>3</sub>	l <sub>4</sub>				min.	max.		
-0,04 -0,08	+0,6							[mm]	[kN]	[N]	[°C]			
12	50	14,5	38	17,3	9,5	28,6	10,8	12	90	32	-30	80	68	22400.0128

Application example

