

Socket Pins• with spring-loaded balls

22400.0090



Product Description

For quick fastening, locking, adjusting, changing and securing. Quickly and easily unlockable for frequently repeated connections.

All versions are corrosion resistant.

Version with ergonomic grip.

Material

Pin part

- Stainless steel 1.4305

Handle

- Thermoplastic PA 6, grey

Spring

- Stainless steel

More information

Notes

Security Note: Balls are spring-loaded and not locked as in article groups EH 22340., EH 22350., EH 22360., EH 22370. and EH 22380.

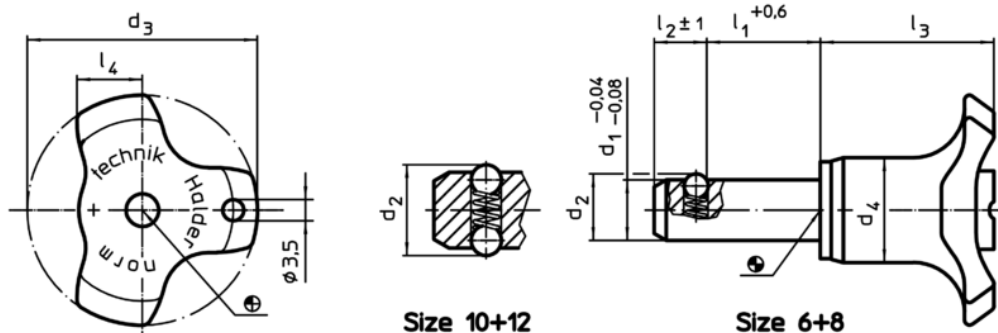
Accessories

Can easily be fitted with retaining cable EH 22400.

Further products

- Locating Bushings, for ball lock pins and socket pins
- Locating Bushings, with flange, for ball lock pins and socket pins
- Retaining Cables
- Positioning Bushings, with collar
- Positioning Bushings, without collar

Drawing



Order information

Dimensions									Location hole H11	Shearing resistance, double	Tensile force max. unlubricated	Temperature min. max.		Weight	Art. No.
d_1	l_1	d_2	d_3	d_4	l_2 ± 1	l_3	l_4		[mm]	[kN]	[N]	[°C]	[g]		
-0,04 -0,08	+0,6								8	40	15	-30 80	27	22400.0090	

Application example

