

## Socket Pins• with spring-loaded balls

22400.0062



### Product Description

For quick fastening, locking, adjusting, changing and securing. Quickly and easily unlockable for frequently repeated connections.  
All versions are corrosion resistant.  
Version with ergonomic grip.

### Material

#### Pin part

- Stainless steel 1.4305

#### Handle

- Thermoplastic PA 6, grey

#### Spring

- Stainless steel

### More information

#### Notes

Security Note: Balls are spring-loaded and not locked as in article groups EH 22340., EH 22350., EH 22360., EH 22370. and EH 22380.

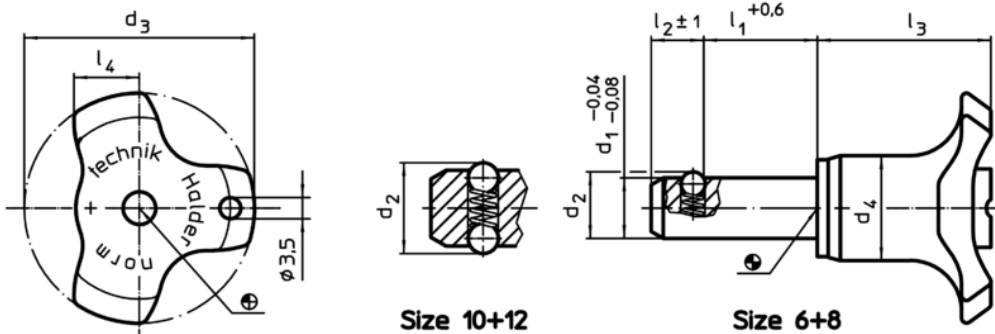
#### Accessories

Can easily be fitted with retaining cable EH 22400.

#### Further products

- Locating Bushings, for ball lock pins and socket pins
- Locating Bushings, with flange, for ball lock pins and socket pins
- Retaining Cables
- Positioning Bushings, with collar
- Positioning Bushings, without collar

### Drawing



### Order information

| Dimensions     |                |                |                |                |                |                |                |      | Location hole<br>H11 | Shearing<br>resistance,<br>double | Tensile force<br>max.<br>unlubricated | Temperature |    | Weight | Art. No.   |
|----------------|----------------|----------------|----------------|----------------|----------------|----------------|----------------|------|----------------------|-----------------------------------|---------------------------------------|-------------|----|--------|------------|
| d <sub>1</sub> | l <sub>1</sub> | d <sub>2</sub> | d <sub>3</sub> | d <sub>4</sub> | l <sub>2</sub> | l <sub>3</sub> | l <sub>4</sub> | min. |                      |                                   |                                       | max.        |    |        |            |
| -0,04<br>-0,08 | +0,6           |                |                |                | ±1             |                |                |      |                      |                                   |                                       |             |    |        |            |
| [mm]           |                |                |                |                |                |                |                |      | [mm]                 | [kN]                              | [N]                                   | [°C]        |    | [g]    |            |
| 6              | 10             | 6,5            | 38             | 17,3           | 5              | 27             | 10,8           |      | 6                    | 22                                | 8                                     | -30         | 80 | 14     | 22400.0062 |

Application example

