

## Ball Lock Pins· self-locking, with combination handle, precipitation-hardened

22380.0824



### Product Description

For quick fastening, locking, adjusting, changing and securing. Quickly and easily unlockable for frequently repeated connections.

All versions are corrosion resistant. When using stainless steel 1.4542: high-strength, hardened, abrasion resistant pin with high load capacity.

Ergonomic grip, different colour combinations available. The grip design provides protection of unintentional unlocking.

### Material

#### Pin part

- Stainless steel 1.4542, precipitation-hardened

#### Handle

- Thermoplastic PA 6 black / black

#### Spring

- Stainless steel

### Operation

The balls are unlocked by pressing the knob.

### Characteristic

Types from stainless steel 1.4542 with marking below the balls.

### More information

### Notes

Special types on request.

### References

Stainless steel 1.4305, see EH 22370.

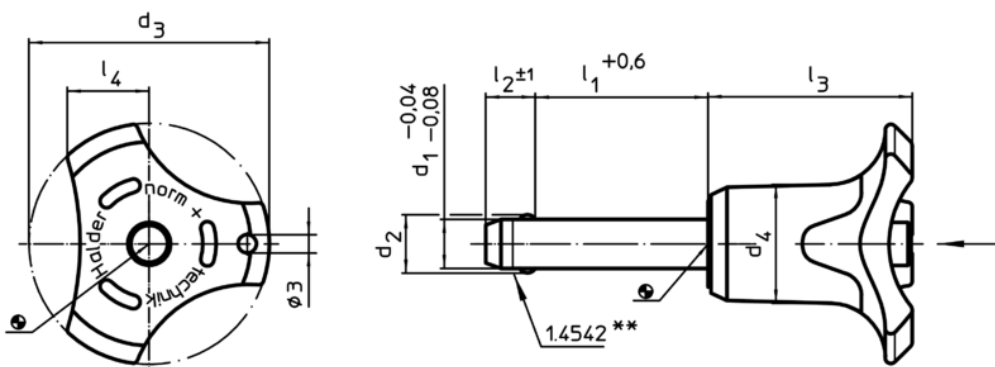
### Accessories

Can easily be fitted with retaining cable EH 22400.

### Further products

- Ball Lock Pins, self-locking, with combination handle
- Locating Bushings, for ball lock pins and socket pins
- Locating Bushings, with flange, for ball lock pins and socket pins
- Retaining Cables
- Positioning Bushings, with collar
- Positioning Bushings, without collar

### Drawing



\*\* Types from stainless steel 1.4542 with marking.

Order information

| Dimensions                       |                        |                |                |                        |                      |                |                |   | Location hole<br>H11<br>[mm] | Shearing resistance,<br>double <sup>1)</sup><br>min.<br>[kN] | <br>min.   max.<br>[°C] |    | <br>[g]    | Art. No. |
|----------------------------------|------------------------|----------------|----------------|------------------------|----------------------|----------------|----------------|---|------------------------------|--|-------------------------|----|------------|----------|
| d <sub>1</sub><br>-0,04<br>-0,08 | l <sub>1</sub><br>+0,6 | d <sub>2</sub> | d <sub>3</sub> | d <sub>4</sub><br>[mm] | l <sub>2</sub><br>±1 | l <sub>3</sub> | l <sub>4</sub> |   |                              |  |                         |    |            |          |
| <b>black</b>                     |                        |                |                |                        |                      |                |                |   |                              |  |                         |    |            |          |
| 6                                | 20                     | 7              | 33,2           | 14,5                   | 7                    | 26,7           | 10,8           | 6 | 35                           | -30  | 80                      | 18 | 22380.0824 |          |

<sup>1)</sup> Shearing resistance similar to DIN 50141

Application example

