

## Ball Lock Pins· self-locking, with elastic grip 22380.0792



### Product Description

For quick fastening, locking, adjusting, changing and securing. Various applications in different sectors, e.g. sports, leisure, medical healing and remedial instruments and apparatuses, machine construction and engineering etc. Quickly and easily unlockable for frequently repeated connections.

All versions are corrosion resistant. When using stainless steel 1.4542: high-strength, hardened, abrasion resistant pin with high load capacity.

Elastic and ergonomic grip with integrated reset (locking). New, modern, patented design.

### Material

#### Pin part

- Stainless steel 1.4542, precipitation-hardened

#### Handle

- Thermoplastic (PBT/TPE), grey / orange

### Operation

The balls are unlocked by pressing the knob.

### Characteristic

Types from stainless steel 1.4542 with marking below the balls.

### More information

### Notes

Special types on request.

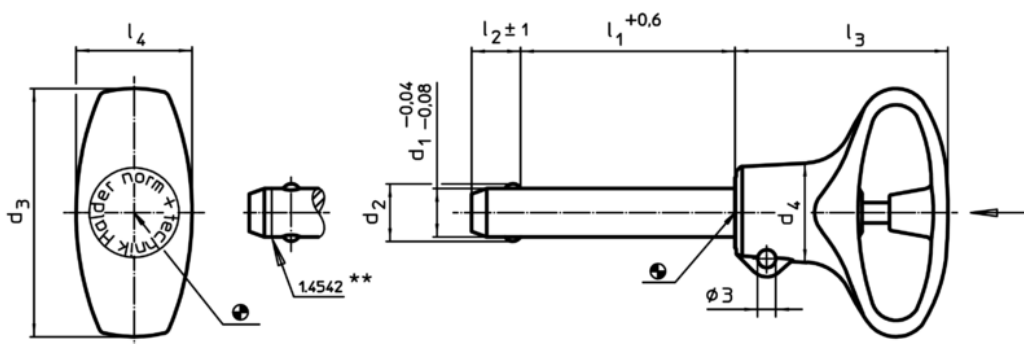
### Accessories

Can easily be fitted with retaining cable EH 22400.

### Further products

- Locating Bushings, for ball lock pins and socket pins
- Locating Bushings, with flange, for ball lock pins and socket pins
- Retaining Cables
- Positioning Bushings, with collar
- Positioning Bushings, without collar

### Drawing



\*\* Types from stainless steel 1.4542 with marking.

### Order information

Dimensions								Location hole	Temperature		Weight	Shearing resistance, double <sup>1)</sup> min.	Art. No.
d <sub>1</sub>	l <sub>1</sub>	d <sub>2</sub>	d <sub>3</sub>	d <sub>4</sub>	l <sub>2</sub> ±1	l <sub>3</sub>	l <sub>4</sub>	H11	min.	max.	[g]	[kN]	
[mm]								[mm]	[°C]				
-0,04 -0,08	+0,6				±1								
<b>Stainless steel</b>													
16	60	19	49	21,2	14	40,5	24,8	16	-30	80	137	257	22380.0792

<sup>1)</sup> Shearing resistance similar to DIN 50141

Application example

