

## Ball Lock Pins· self-locking, with adjustable clamping span

22380.0596



### Product Description

Used for mounting or clamping workpieces, remove remaining play or slack via variable locknuts. All versions are corrosion resistant. When using stainless steel 1.4542: high-strength, hardened, abrasion resistant pin with high load capacity.

#### Material

##### Pin part

- Stainless steel 1.4542, precipitation-hardened

##### Lock nut

- Thermoplastic, black

##### Spring

- Stainless steel

##### Adjusting nut

- Thermoplastic, silver

#### Operation

The balls are unlocked by pressing the knob.

#### Characteristic

Types from stainless steel 1.4542 with marking below the balls.

#### More information

#### Notes

Special types on request.

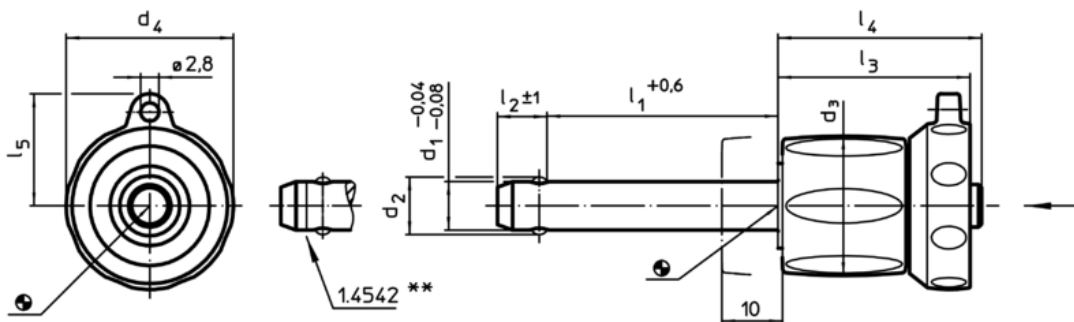
#### Accessories

Can easily be fitted with retaining cable EH 22400.

#### Further products

- Locating Bushings, for ball lock pins and socket pins
- Locating Bushings, with flange, for ball lock pins and socket pins
- Retaining Cables
- Positioning Bushings, with collar
- Positioning Bushings, without collar

### Drawing



\*\* Types from stainless steel 1.4542 with marking.

### Order information

Dimensions									Location hole H11	min.   max.		Shearing resistance, double <sup>1)</sup> min.	Art. No.	
d <sub>1</sub>	l <sub>1</sub>	d <sub>2</sub>	d <sub>3</sub>	d <sub>4</sub>	l <sub>2</sub>	l <sub>3</sub>	l <sub>4</sub>	l <sub>5</sub>	[mm]	[°C]	[g]			[kN]
-0,04 -0,08	+0,6				±1									
[mm]														
Stainless steel														
5	20 – 30	5,5	17,6	23,6	6	25,7	26,2	15,9	5	-30	80	27	24	22380.0596

<sup>1)</sup> Shearing resistance similar to DIN 50141

Application example

