

## Clamping Pins• self-locking, with span compensation

22360.0012



### Product Description

Used for fixing and simultaneously tightly connecting thin walled plates. Clamping distance of 5 mm for clamping of sheets for welding work, for protection, coverings, to close doors etc. All versions are corrosion resistant. Version with ergonomic grip.

### Material

#### Pin part

- Stainless steel 1.4305

#### Handle

- Thermoplastic PA 6, grey

#### Spring

- Stainless steel

### Operation

The balls are unlocked by pressing the knob.

### More information

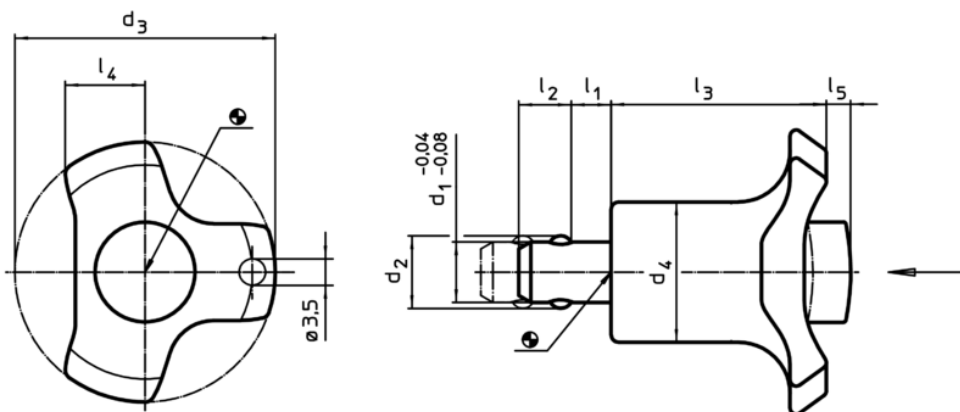
### Accessories

Can easily be fitted with retaining cable EH 22400.

### Further products

- Locating Bushings, for ball lock pins and socket pins
- Locating Bushings, with flange, for ball lock pins and socket pins
- Retaining Cables

### Drawing



### Order information

Dimensions										Location hole	Clamping force	Temperature		Weight	Art. No.
d <sub>1</sub>	l <sub>1</sub>	d <sub>2</sub>	d <sub>3</sub>	d <sub>4</sub>	l <sub>2</sub>	l <sub>3</sub>	l <sub>4</sub>	l <sub>5</sub>	Unclamped	H11	max.	min.	max.	[g]	
[mm]										[mm]	[N]	[°C]			
-0,04 -0,08	5 - 10	7	38	17,5	5	30,2	11	3		6	18	-30	80	23	22360.0012

Application example

